

# Miller® Permanent Roof Anchors

## Fall protection designed for residential or commercial construction

- Ideal for new construction or as a retrofit on roofs with asphalt, shake or tile roofing materials
- Multiple use applications: new roof/shingle installation, gutter cleaning, window and skylight cleaning/repair, chimney maintenance and general roof maintenance
- Only the permanent D-ring(s)/anchor is exposed, providing a quick, safe fall arrest connection point(s)
- Stainless steel body construction, zinc-plated steel D-ring(s) resist corrosion for long service life



Single D Roof Anchors can also be used for vertical wall applications.



Use the Permanent Roof Anchors on new or existing roofs to provide a quick, safe anchorage point.

### MILLER® **D** SINGLE PERMANENT ROOF ANCHOR



The Miller Single D permanent roof anchor is designed to provide one (1) D-ring anchorage point when securely installed on a wood roof sub-surface or vertical wall.

Accommodates single user up to 310 lbs. (140.6kg) for fall protection.

Meets OSHA 1926.502 guideline.

Model No.	Description
RA41	Stainless steel permanent single D-ring roof anchor over a wood ridge peak. Complete with 8, 16d nails.

### MILLER® **D** DOUBLE PERMANENT ROOF ANCHOR



The Miller Double D permanent roof anchor is designed to provide two (2) D-ring anchorage points when securely installed on a wood roof sub-surface.

Accommodates single user up to 310 lbs. (140.6kg) for fall protection.

Meets OSHA 1926.502 guideline.

Model No.	Description
RA40	Stainless steel permanent double D-ring roof anchor over a wood ridge peak. Complete with 8, 16d nails.

# MILLER® Claw

## PERMANENT ROOF ANCHOR

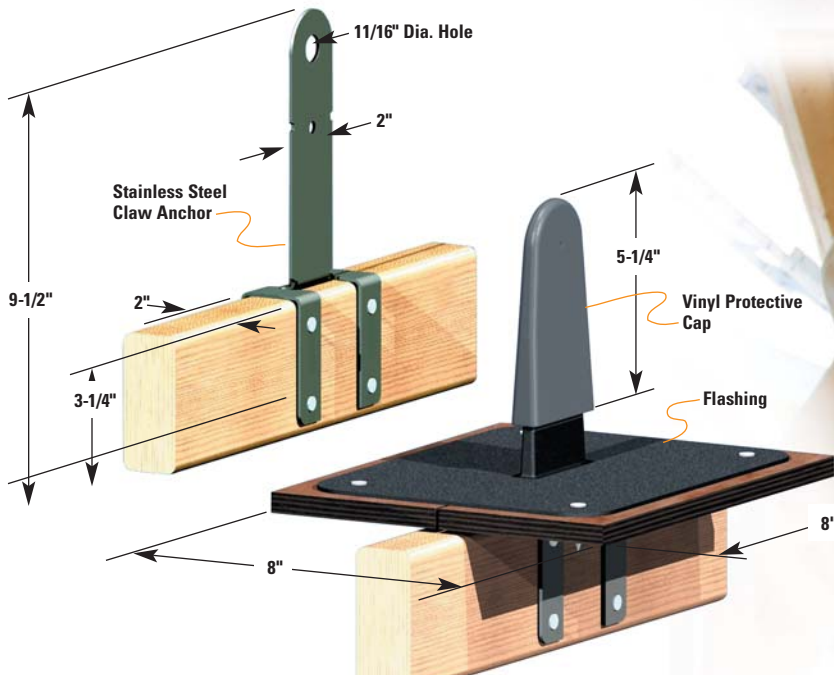
The Miller Claw permanent roof anchor is designed to provide a single anchorage point when securely installed on a wood rafter or truss member. The Claw anchor fits wood sizes 2" x 4", 2" x 6", 2" x 8", 2" x 10" or 2" x 12".

Accommodates single user up to 310 lbs. (140.6kg) for fall protection.

Meets OSHA 1926.502 guideline and ANSI A10.14 standard.

Model No.	Description
RA45	Stainless steel permanent roof anchor over wood rafter/truss members. Complete with UV resistant *Santoprene® flashing, protective cap and 12, 1-1/2" nails.

\*Santoprene® is a registered trademark of Monsanto corporation.



**Exterior rooftop application**



**Interior overhead application**

*This equipment should only be used after reading the manufacturer's instructions. Failure to follow instructions could result in serious injury or fatality.*

**MILLER®**  
by SPERIAN

▶ Ask the Expert ... Ask Miller.

800/873-5242  
or 814/432-2118

Fax 800/892-4078  
or Fax 814/432-2415

[www.millerfallprotection.com](http://www.millerfallprotection.com)



For more information or to place an order, please contact your Miller® distributor:

LMPRA/1103/20M/RPI